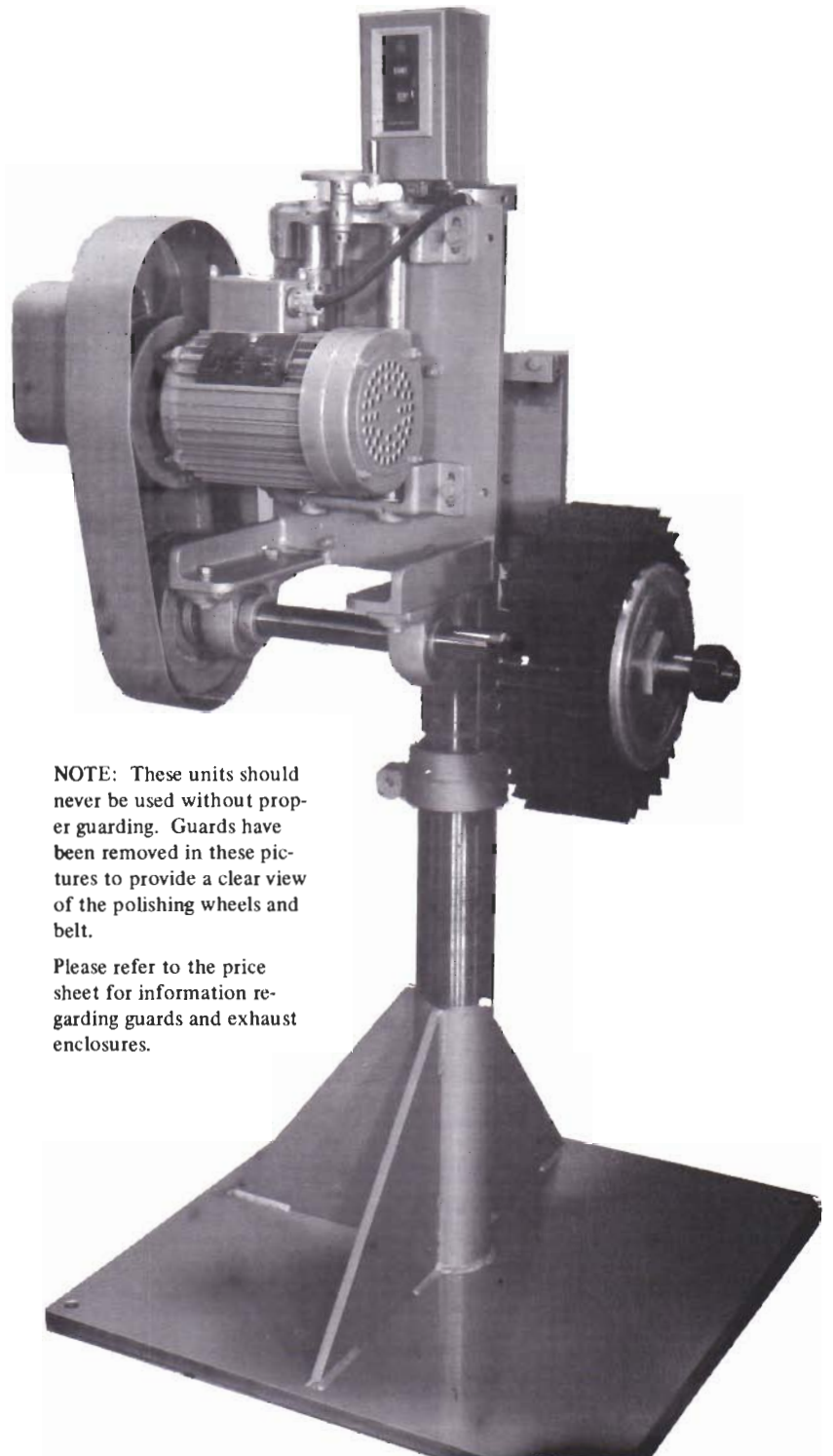
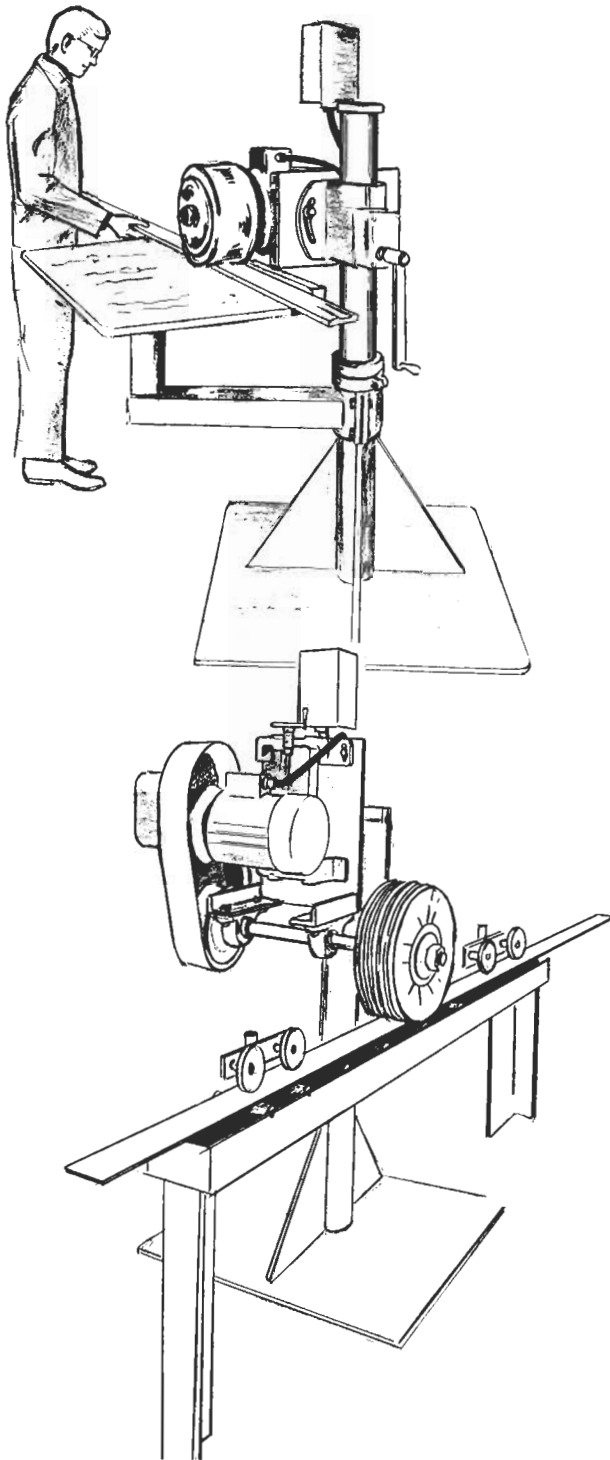


# G & P

## UNIVERSALLY ADJUSTABLE SPINDLE STANDS

### FOR BUFFING - POLISHING - SANDING



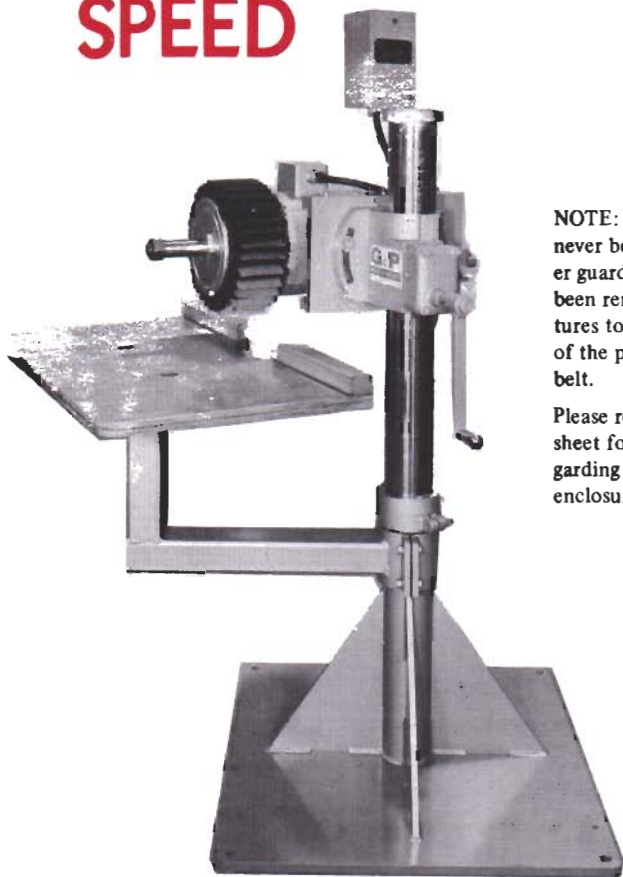
NOTE: These units should never be used without proper guarding. Guards have been removed in these pictures to provide a clear view of the polishing wheels and belt.

Please refer to the price sheet for information regarding guards and exhaust enclosures.

# SINGLE SPEED

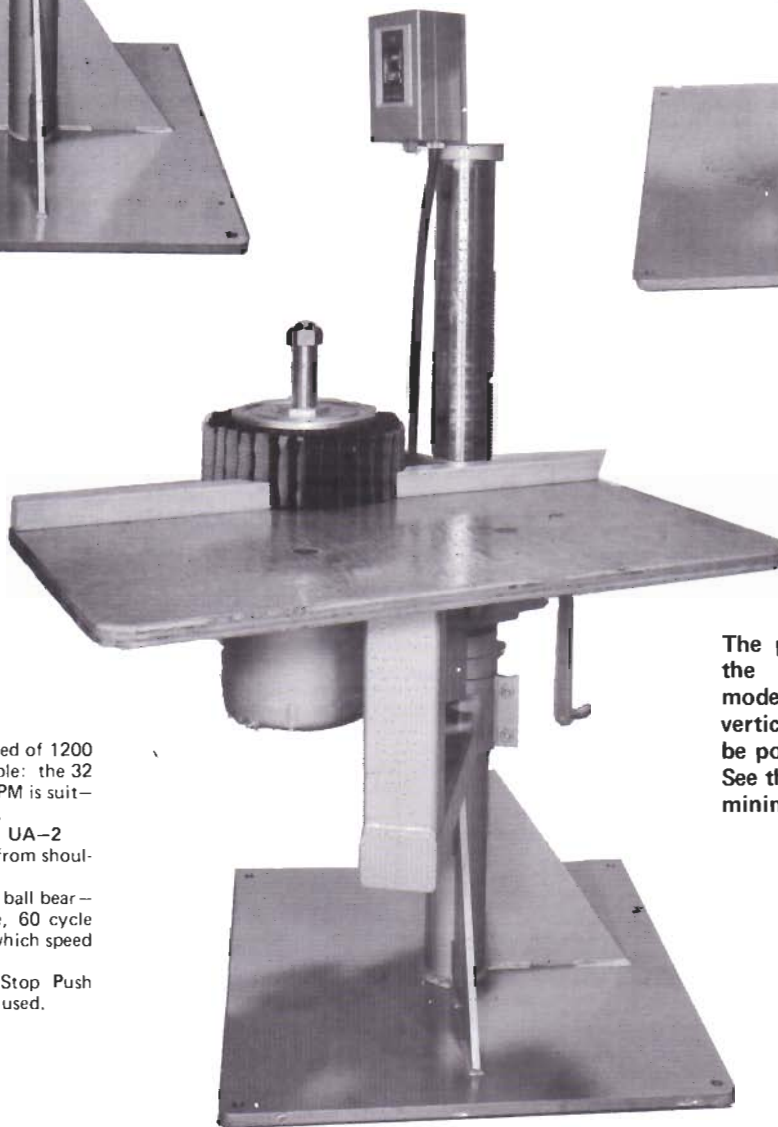
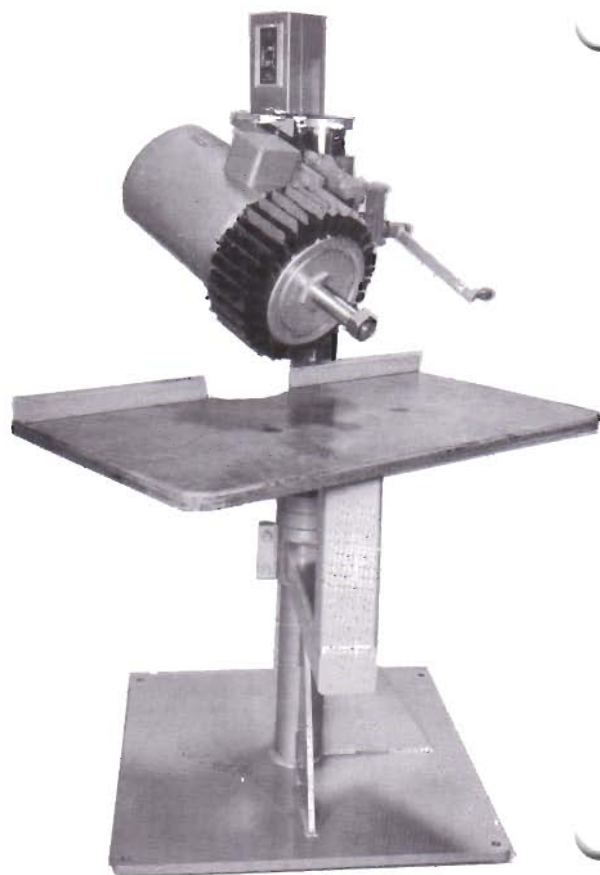
## MODEL UA-2

Ideally suited for conveyORIZED and rotary automatic applications ... also frequently used with the optional plywood table and bracket for manual operations.



**NOTE:** These units should never be used without proper guarding. Guards have been removed in these pictures to provide a clear view of the polishing wheels and belt.

Please refer to the price sheet for information regarding guards and exhaust enclosures.



Model UA-2 can be used when single speed of 1200 RPM or 1800 RPM is adequate. For example: the 32 brush Vonnegut Head operating at 1200 RPM is suitable for most wood and metal applications.

#### GENERAL SPECIFICATIONS - MODEL UA-2

**Spindle** - 1 1/4" diameter x 11" length from shoulder to end.

**Motor** - 2 horsepower, totally enclosed ball bearing motor 208/220/440 volt, 3 phase, 60 cycle 1200 or 1800 RPM available...specify which speed is required.

**Electrical Controls** - Manual Start-Stop Push Button. Specify which voltage will be used.

The photos on these pages illustrate the adjustable features of all UA models. In addition to horizontal and vertical adjustment ... the spindle may be positioned around a 360 degree arc. See the back cover of this brochure for minimum and maximum dimensions.

# VARIABLE SPEED

Models UA-2-VS and UA-3-VS, with variable spindle speed of 600 through 1800 RPM, are applicable where job requirements may vary, both as to work materials and abrasive media, such as Vonnegut Heads, Buffs, Wire Wheels, Etc.

**GENERAL SPECIFICATIONS - MODEL UA-2-VS**  
**Spindle** - 1 1/4" diameter x 9 1/2" length from shoulder to end.

**Spindle Speed** - 600 RPM through 1800 RPM.

(For higher speed consult the factory)

**Motor** - 2 horsepower totally enclosed ball bearing motor 230/460 volt, 3 phase, 60 cycle or 575 volt, 3 phase, 60 cycle.

**Electrical Controls** - Manual Start-Stop Push Button. Specify which voltage will be used.

**TYPE OF VARIABLE SPEED DRIVE** - Wide Belt-Variable pitch sheave.

**GENERAL SPECIFICATIONS - MODEL UA-3-VS**

**Spindle** - 1 1/4" diameter x 9 1/2" length from shoulder to end.

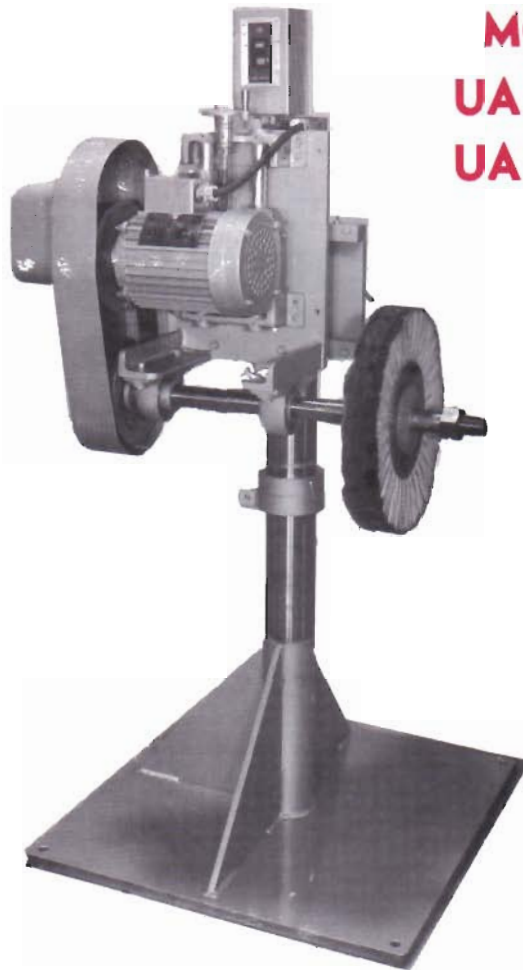
**Spindle Speed** - 600 RPM through 1800 RPM.

(For higher speed consult the factory)

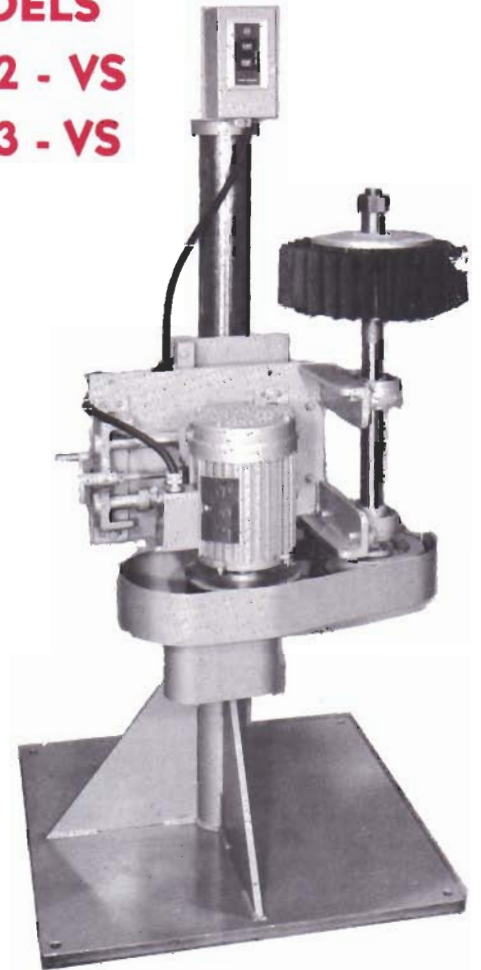
**Motor** - 3 horsepower totally enclosed ball bearing motor 230/460 volt, 3 phase, 60 cycle or 575 volt, 3 phase, 60 cycle.

**Electrical Controls** - Manual Start-Stop Push Button. Specify which voltage will be used.

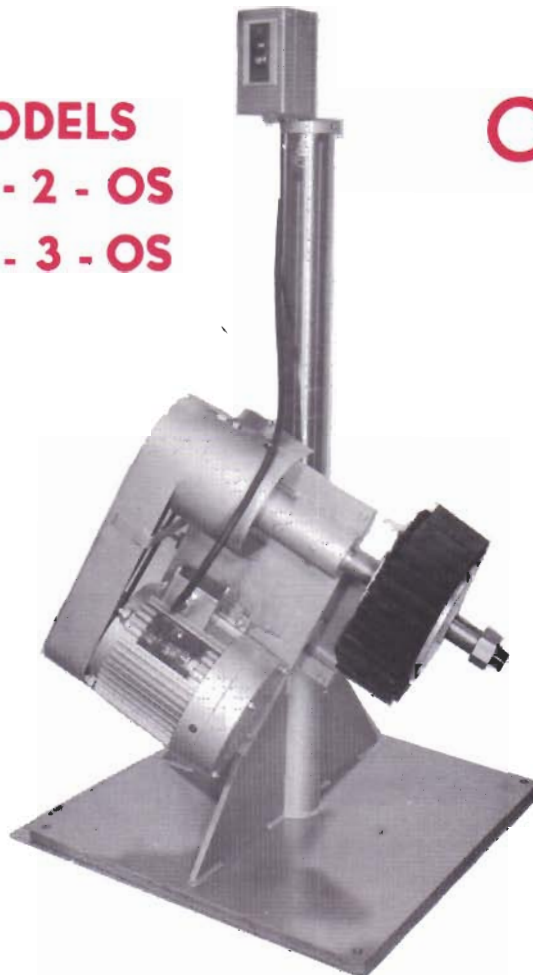
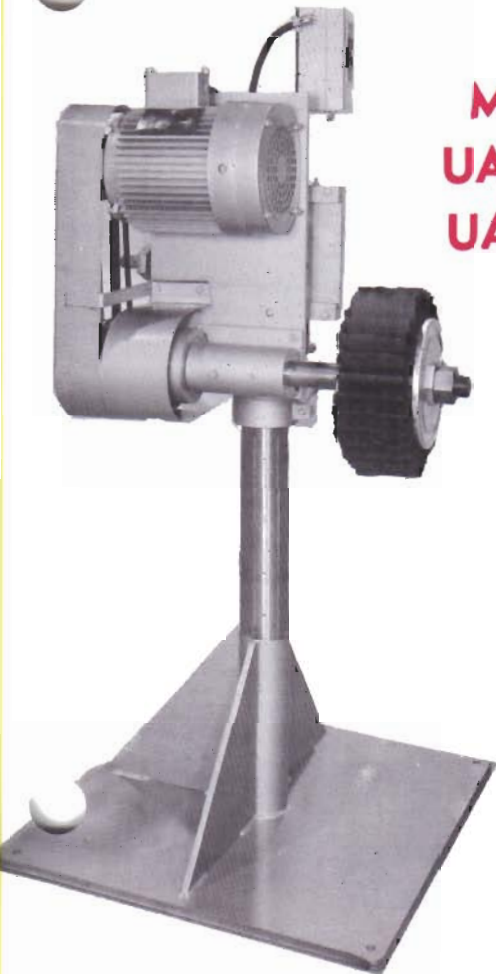
**TYPE OF VARIABLE SPEED DRIVE** - Wide Belt-Variable pitch sheave.



## MODELS UA - 2 - VS UA - 3 - VS



## MODELS UA - 2 - OS UA - 3 - OS



# OSCILLATING SPINDLE

Models UA-2-OS and UA-3-OS, with oscillating spindle, may be used with a variety of buffing and polishing wheels, the oscillation providing a more uniform finish, and eliminating streaks and patterns. The oscillating spindle arrangement is Vee belt driven, with 3/16" oscillation.

**GENERAL SPECIFICATIONS - MODEL UA-2-OS**  
**Spindle** - 1 1/2" diameter x 12" length from shoulder to end.

**Spindle Speed** -

1400 RPM - 130 oscillations per minute.

1250 RPM - 170 oscillations per minute.

800 RPM - 140 oscillations per minute.

**Oscillation Stroke** - 3/16"

**Motor** - 2 horsepower totally enclosed ball bearing motor 230/460 volt, 3 phase, 60 cycle, or 575 volt, 3 phase, 60 cycle.

**Electrical Controls** - Manual Start-Stop Push Button. Specify which voltage will be used.

**GENERAL SPECIFICATIONS - MODEL UA-3-OS**

**Spindle** - 1 1/2" diameter x 12" length from shoulder to end.

**Spindle Speed** -

1400 RPM - 130 oscillations per minute.

1250 RPM - 170 oscillations per minute.

800 RPM - 140 oscillations per minute.

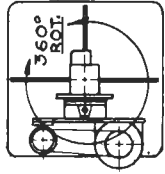
**Oscillation Stroke** - 3/16"

**Motor** - 3 horsepower totally enclosed ball bearing motor 230/460 volt, 3 phase, 60 cycle, or 575 volt, 3 phase, 60 cycle.

**Electrical Controls** - Manual Start-Stop Push Button. Specify which voltage will be used.

OPERATIONAL DIMENSIONS FOR UA-2-OS & VS OR UA-3-OS & VS

OS = OSC. SP.  
VS = VAR. SPEED

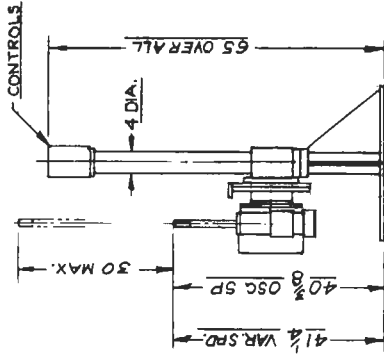
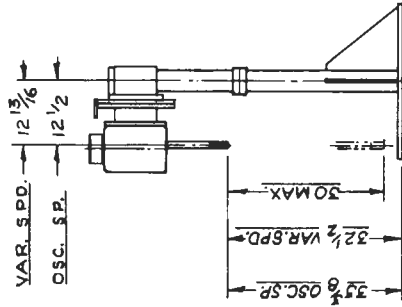
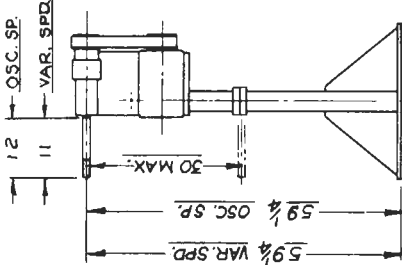
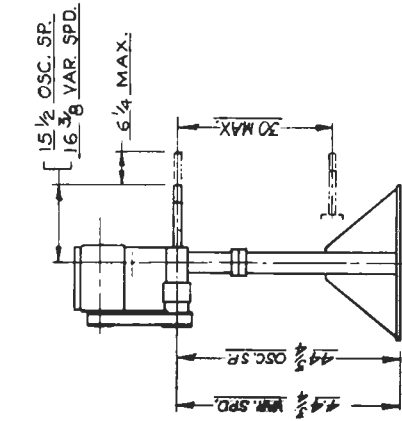
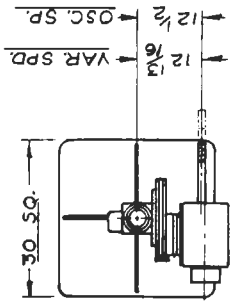


TOP & ELEVATION VIEWS

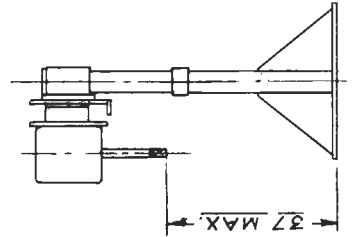
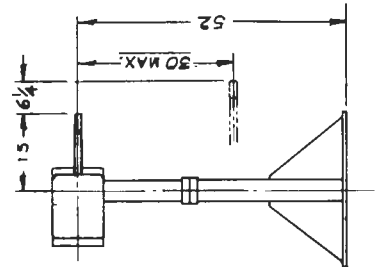
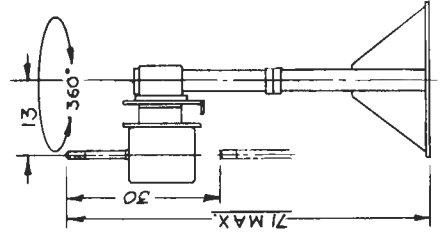
OF

OSCILLATING SPINDLE MACHINE

UA-3-OS



OPERATIONAL DIMENSIONS FOR UA-2



THE DIMENSIONS SHOWN ARE FOR ALL STANDARD UA MODELS - MODIFICATIONS CAN BE SUPPLIED BY CONSULTING THE FACTORY. ALL DIMENSIONS SUBJECT TO CHANGE WITHOUT NOTICE.